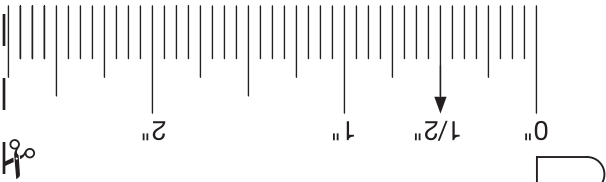
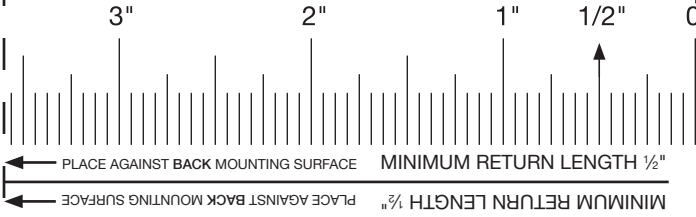


Cord Lift with Wand Tilt
for 2" slat size

Cord Lift with Cord Tilt
for 2³/₈" and 2¹/₂" slat sizes

Cord Lift with Motorized Tilt
for 2³/₈" and 2¹/₂" slat sizes



Cordless Lift with Cord Tilt
for 2" slat size

PLACE AGAINST TOP MOUNTING SURFACE **INSIDE MOUNT ONLY**

**WOOD, COMPOSITE, AND
FAUX WOOD BLINDS
VALANCE RETURN TEMPLATES**

1. Print this form at **Actual Size**. Measure the printout to make sure the inches are to scale.
2. Cut the border and the bracket holes as indicated with the scissors icon.
3. Place the appropriate headrail profile inside the window opening at the desired depth. Note that the return length must be 1/2" or more. Record the special return length.
4. Using a pencil, lightly trace the border of the punched hole(s) to record the mounting bracket location. This will aid in the installation process.

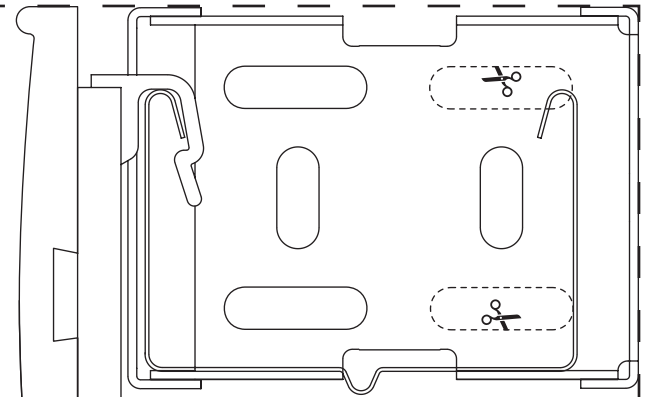
If product configuration is not found here, please contact customer service at 1-800-221-6352.

SPRINGS WINDOW FASHIONS
the Best Experience Company

1. Print this form at **Actual Size**. Measure the printout to make sure the inches are to scale.
2. Cut the border and the bracket holes as indicated with the scissors icon.
3. Place the appropriate headrail profile inside the window opening at the desired depth. Note that the return length must be 1/2" or more. Record the special return length.
4. Using a pencil, lightly trace the border of the punched hole(s) to record the mounting bracket location. This will aid in the installation process.

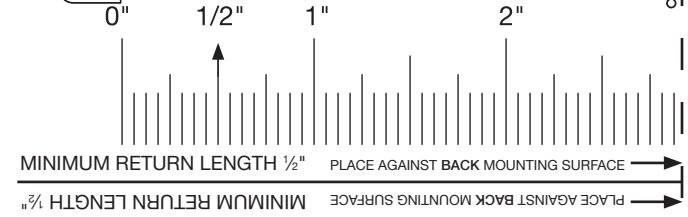
**WOOD, COMPOSITE, AND
FAUX WOOD BLINDS
VALANCE RETURN TEMPLATES**

PLACE AGAINST TOP MOUNTING SURFACE **INSIDE MOUNT ONLY**



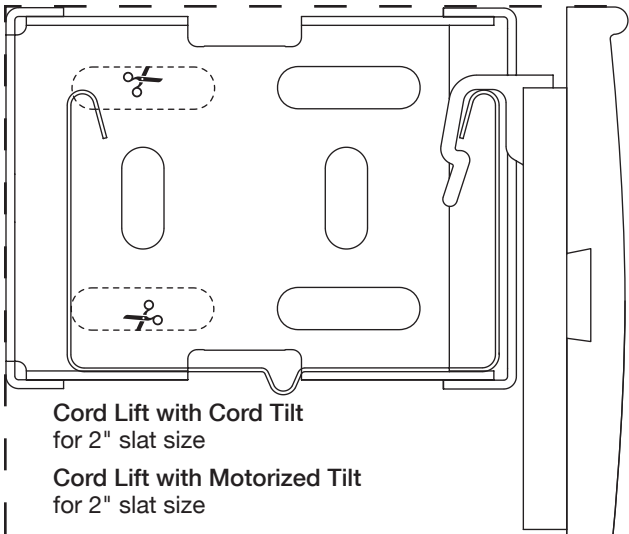
Cord Lift with Cord Tilt
for 2" slat size

Cord Lift with Motorized Tilt
for 2" slat size



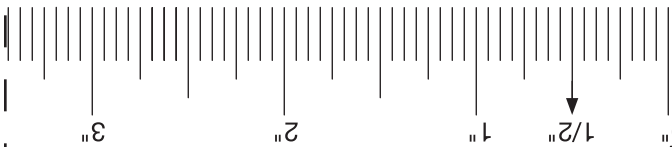
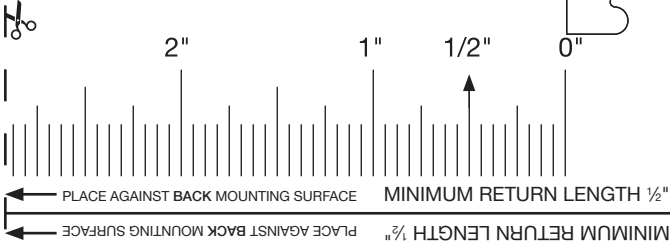
Cordless Lift with Wand Tilt
for 2", 2³/₈", and 2¹/₂" slat sizes

Cordless Lift with Cord Tilt
for 2³/₈" and 2¹/₂" slat sizes

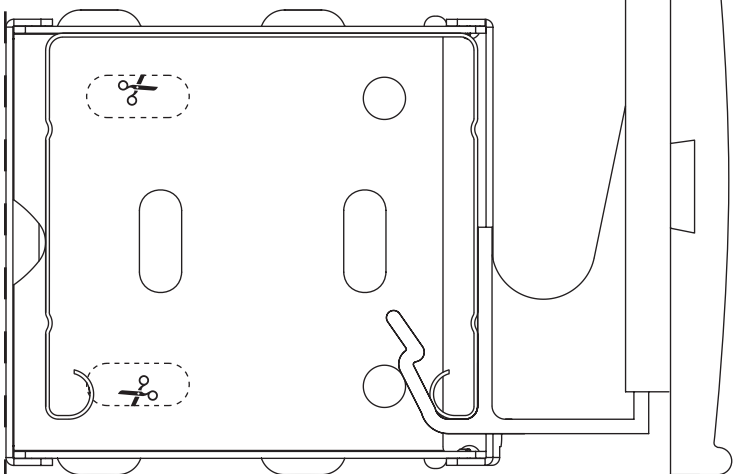


Cord Lift with Cord Tilt
for 2" slat size

Cord Lift with Motorized Tilt
for 2" slat size



Cordless Lift with Wand Tilt
for 2", 2 3/8", and 2 1/2" slat sizes



↑ PLACE AGAINST TOP MOUNTING SURFACE **INSIDE MOUNT ONLY**

**WOOD, COMPOSITE, AND
FAUX WOOD BLINDS
VALANCE RETURN TEMPLATES**

1. Print this form at **Actual Size**. Measure the printout to make sure the inches are to scale.
2. Cut the border and the bracket holes as indicated with the scissors icon.
3. Place the appropriate headrail profile inside the window opening at the desired depth. Note that the return length must be 1/2" or more. Record the special return length.
4. Using a pencil, lightly trace the border of the punched hole(s) to record the mounting bracket location. This will aid in the installation process.

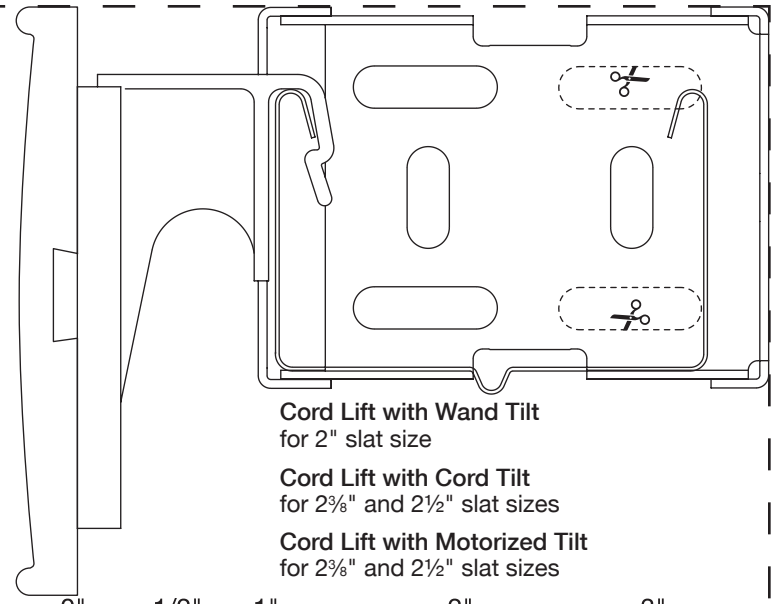
If product configuration is not found here, please contact customer service at 1-800-221-6352.



1. Print this form at **Actual Size**. Measure the printout to make sure the inches are to scale.
2. Cut the border and the bracket holes as indicated with the scissors icon.
3. Place the appropriate headrail profile inside the window opening at the desired depth. Note that the return length must be 1/2" or more. Record the special return length.
4. Using a pencil, lightly trace the border of the punched hole(s) to record the mounting bracket location. This will aid in the installation process.

**WOOD, COMPOSITE, AND
FAUX WOOD BLINDS
VALANCE RETURN TEMPLATES**

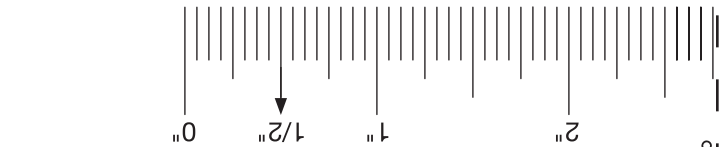
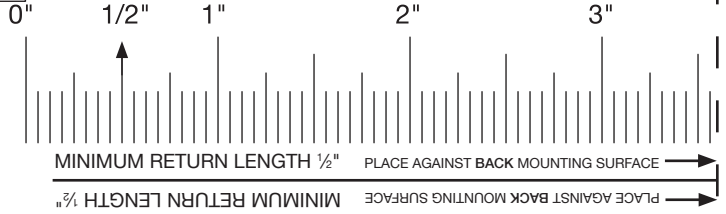
↓ PLACE AGAINST TOP MOUNTING SURFACE **INSIDE MOUNT ONLY**



Cord Lift with Wand Tilt
for 2" slat size

Cord Lift with Cord Tilt
for 2 3/8" and 2 1/2" slat sizes

Cord Lift with Motorized Tilt
for 2 3/8" and 2 1/2" slat sizes



Cordless Lift with Cord Tilt
for 2" slat size

